

Unter Haßlen 20 · D-78532 Tuttlingen
Phone: +49 (0)7462/9470-0
Fax: +49 (0)7462/9470-50
e-mail: sales@rz-medizintechnik.com
http://www.rz-medizintechnik.com



McCULLOCH Spinal Retractor



oglio

RETRACTORS AND BLADES

The McCULLOCH Micro Discectomy Retractor system allows the surgeon an optimal exposure of the Disc with minimum incision.

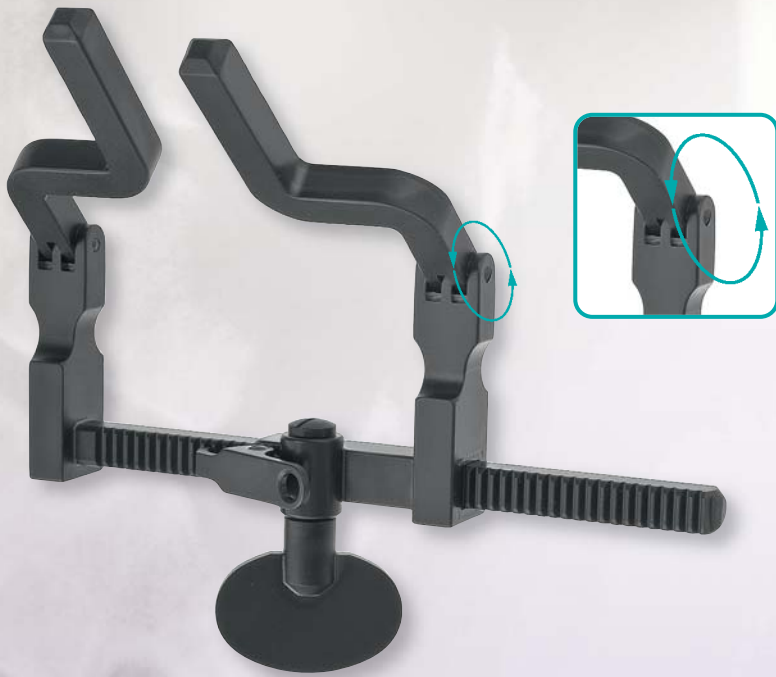
The jointed arms folding along the patients back allow unhindered access around the wound.

All light reflections under the Microscope are eliminated by the black finished surface.

6 different types of blades in different length give the surgeon full flexibility in approaches to the Disc.



Blade length	Muscle Blade 27 mm wide, 6 teeth	Muscle Blade 20 mm wide, 4 teeth	Muscle Blade 17 mm wide, 2 teeth	Hook #1	Hook #2 toothed	Cervical Blade 20 mm wide, 2 teeth
20 mm				259-170-420	259-170-520	
30 mm	259-170-130	259-170-230	259-170-330	259-170-430	259-170-530	
40 mm	259-170-140	259-170-240	259-170-340	259-170-440	259-170-540	
50 mm	259-170-150	259-170-250	259-170-350	259-170-450	259-170-550	259-170-650
60 mm	259-170-160	259-170-260	259-170-360	259-170-460	259-170-560	259-170-660
70 mm	259-170-170	259-170-270	259-170-370	259-170-470	259-170-570	259-170-670
80 mm	259-170-180	259-170-280	259-170-380	259-170-480	259-170-580	
90 mm	259-170-190		259-170-390			
Blade SET #1 large	259-170-110 Set with 12 pcs. 2x 30 mm 2x 40 mm 2x 50 mm 2x 60 mm 2x 70 mm 2x 80 mm	259-170-210 Set with 12 pcs. 2x 30 mm 2x 40 mm 2x 50 mm 2x 60 mm 2x 70 mm 2x 80 mm	259-170-310 Set with 12 pcs. 2x 30 mm 2x 40 mm 2x 50 mm 2x 60 mm 2x 70 mm 2x 80 mm	259-170-410 Set with 12 pcs. 2x 20 mm 2x 30 mm 2x 40 mm 2x 50 mm 2x 60 mm 2x 70 mm	259-170-510 Set with 12 pcs. 2x 20 mm 2x 30 mm 2x 40 mm 2x 50 mm 2x 60 mm 2x 70 mm	
	259-170-111 Set with 8 pcs. 2x 40 mm 2x 50 mm 2x 60 mm 2x 70 mm	259-170-211 Set with 8 pcs. 2x 40 mm 2x 50 mm 2x 60 mm 2x 70 mm	259-170-311 Set with 8 pcs. 2x 40 mm 2x 50 mm 2x 60 mm 2x 70 mm	259-170-411 Set with 8 pcs. 2x 30 mm 2x 40 mm 2x 50 mm 2x 60 mm	259-170-511 Set with 8 pcs. 2x 30 mm 2x 40 mm 2x 50 mm 2x 60 mm	



259-170-200
McCulloch Retractor Frame with hinged arms



259-170-300
McCulloch Retractor, double hinged



259-170-400
McCulloch Transversal Spreader, double hinged



259-170-100
McCulloch Retractor Frame

McCulloch Instrument Set

- ❶ 259-160-042 Double ended Elevator, 23.0cm, 9"
- ❷ 259-210-004 Osteotome, 4mm wide, 21.5cm, 8 ½"
259-210-006 Osteotome, 6mm wide, 21.5cm, 8 ½"
- ❸ 259-210-005 Hockey-stick Chisel, left curved, 21.5cm, 8 ½"
- ❹ 259-211-005 Hockey-stick Chisel, right curved, 21.5cm, 8 ½"
- ❺ 259-160-006 Nerve Root Retractor, 90° angled shaft, 6mm wide tip
- ❻ 259-230-004 Ball Probe, 4mm long tip, 23.5cm, 9 ¼"
- ❼ 259-230-007 Ball Probe, 7mm long tip, 23.5cm, 9 ¼"
- ❽ 259-230-104 Manipulation Hook, 4mm long tip, 23.5cm, 9 ¼"
- ❾ 259-440-100 Spinal Elevator, semi-sharp, 12mm wide tip, 29.0cm, 11 ½"
259-450-100 Spinal Elevator, semi-sharp, 19mm wide tip, 29.0cm, 11 ½"
- ❿ 165-525-205 Suction tube with perforated tip, 5 Fr., 23.0cm, 9"
165-525-207 Suction tube with perforated tip, 7 Fr., 23.0cm, 9"
165-525-209 Suction tube with perforated tip, 9 Fr., 23.0cm, 9"
165-525-212 Suction tube with perforated tip, 12 Fr., 23.0cm, 9"

